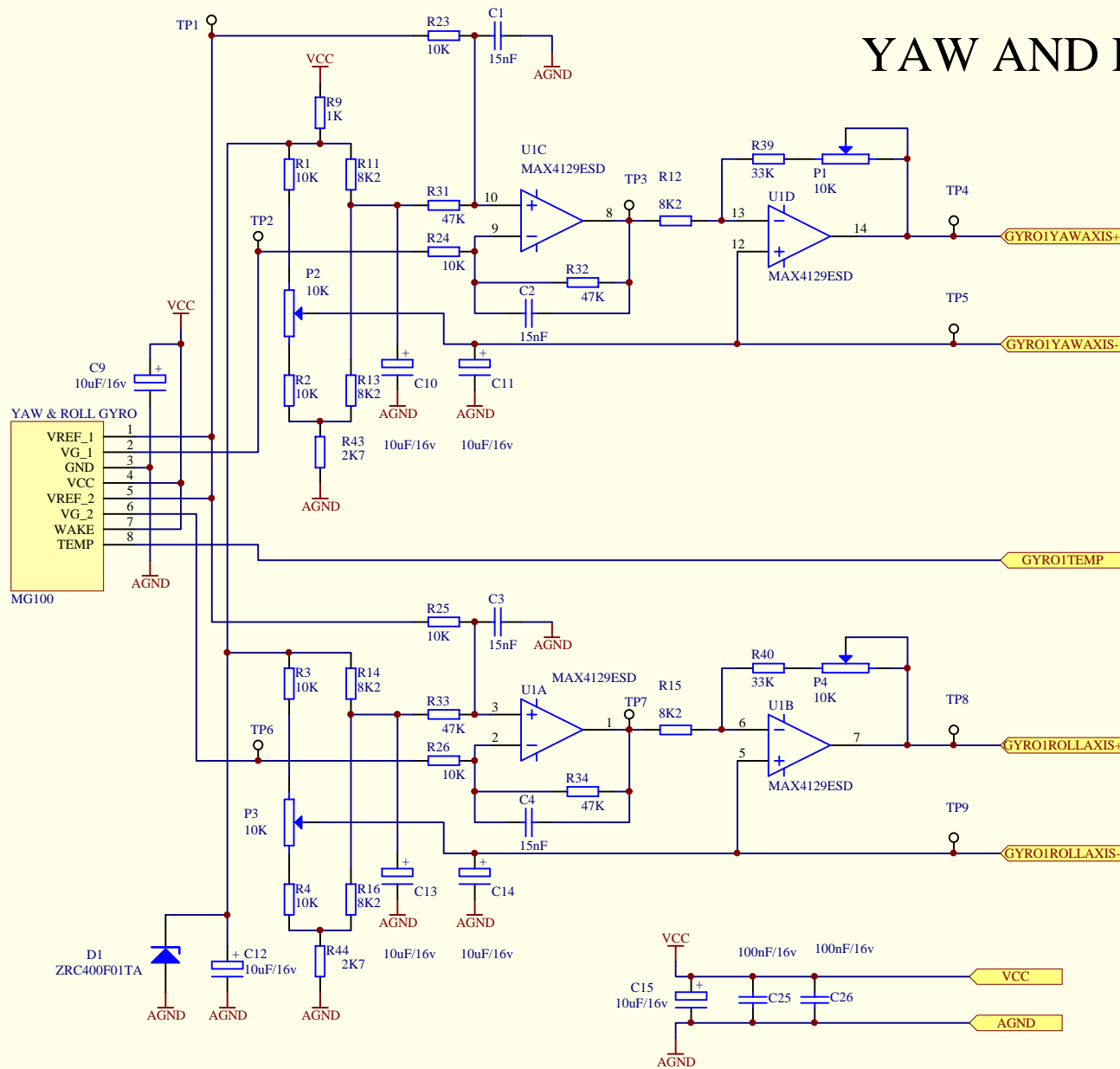
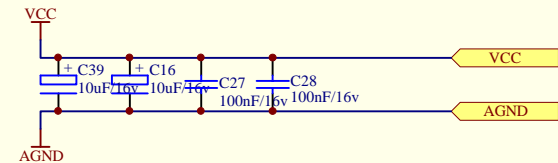
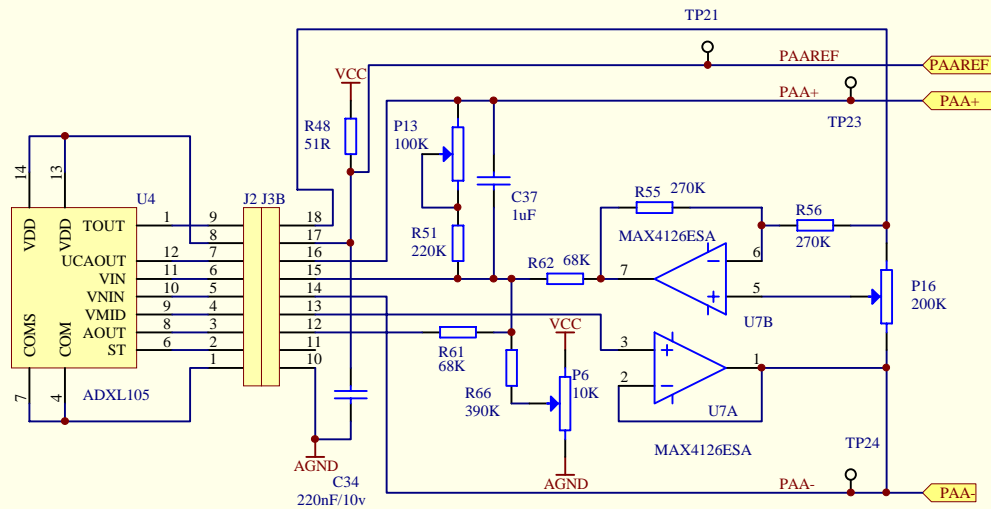
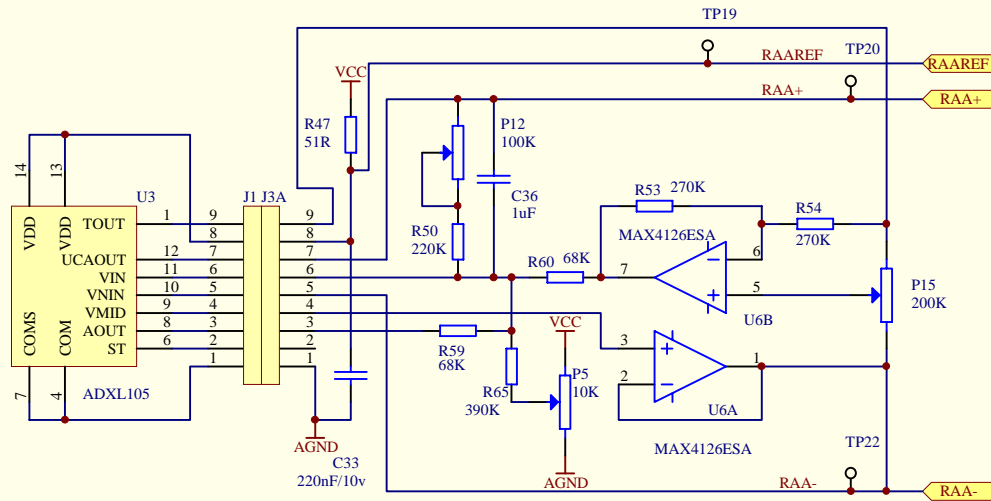


YAW AND ROLL GYROS



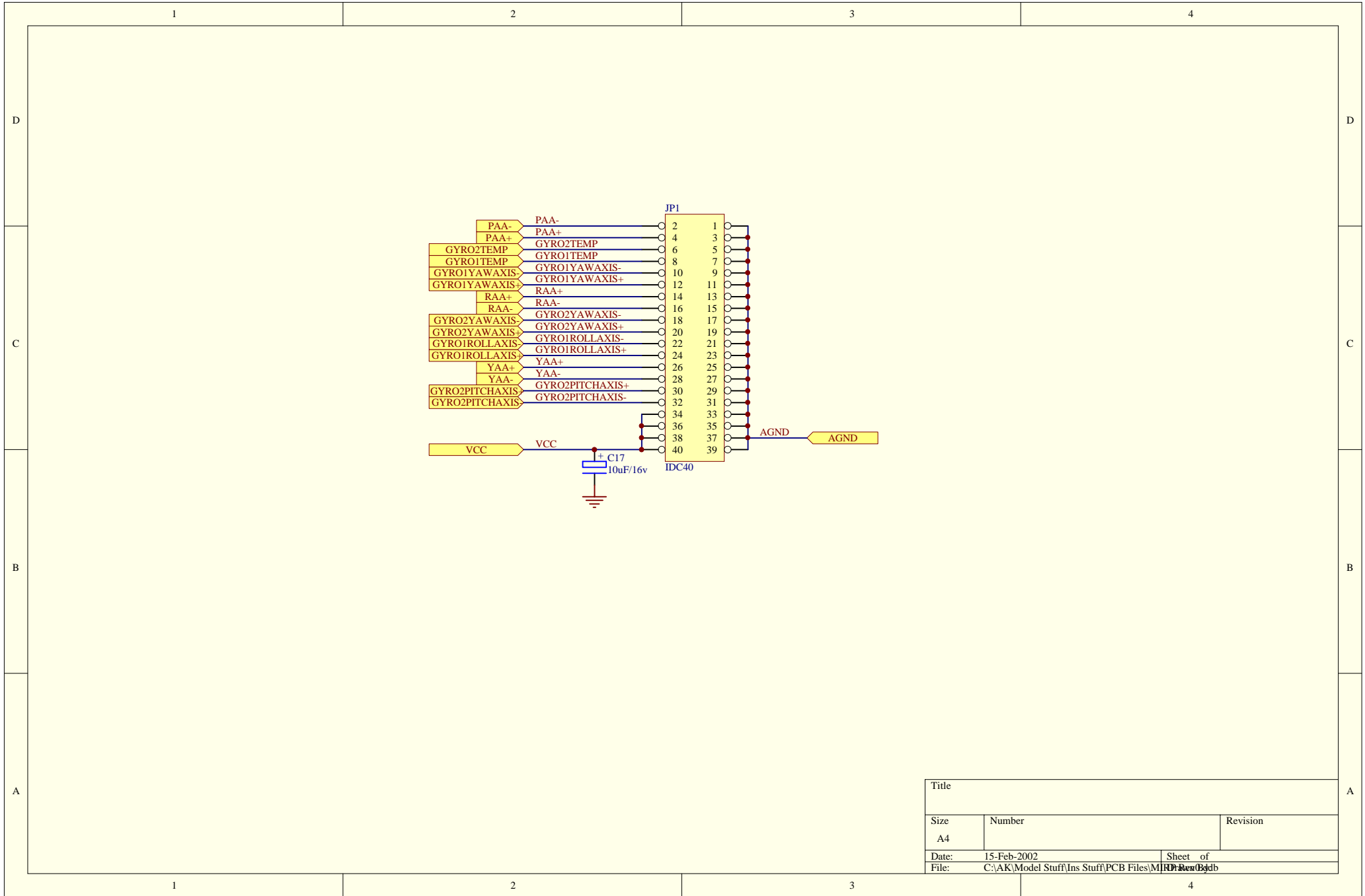
Title		
Size A4	Number	Revision
Date: 15-Feb-2002	Sheet of	
File: C:\AK\Model Stuff\Ins Stuff\PCB Files\MDR Rev 03.dcb	10 of 10	

ROLL AXIS ACCELEROMETER



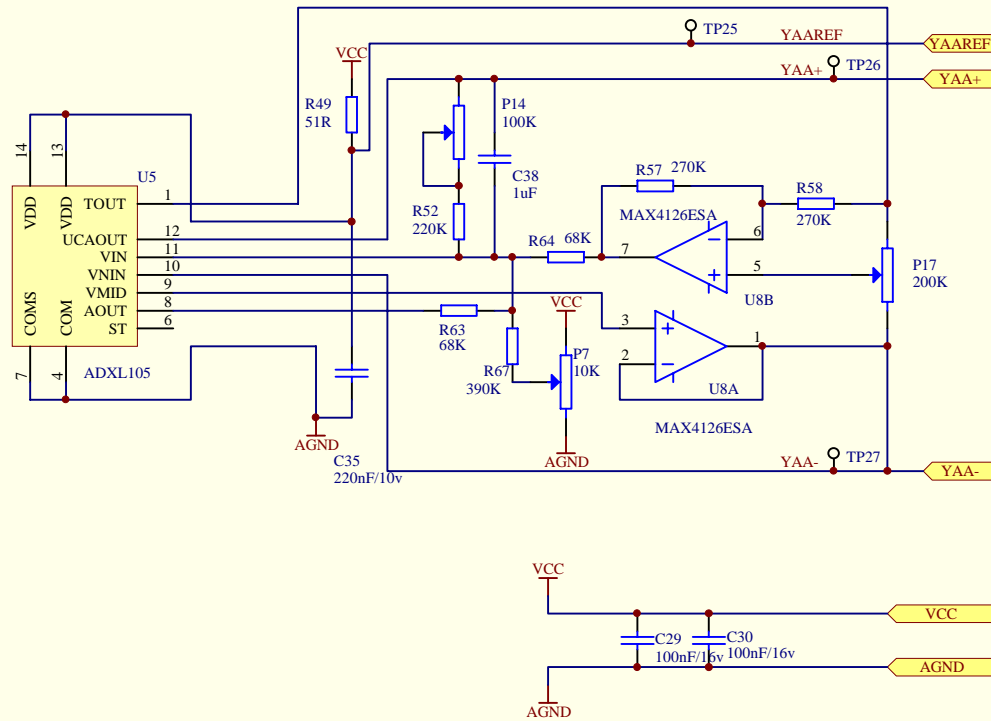
PITCH AXIS ACCELEROMETER

Title		
Size	Number	Revision
A4		
Date:	15-Feb-2002	Sheet of
File:	C:\AK\Model Stuff\Ins Stuff\PCB Files\MI\RD Rev 03.dcb	



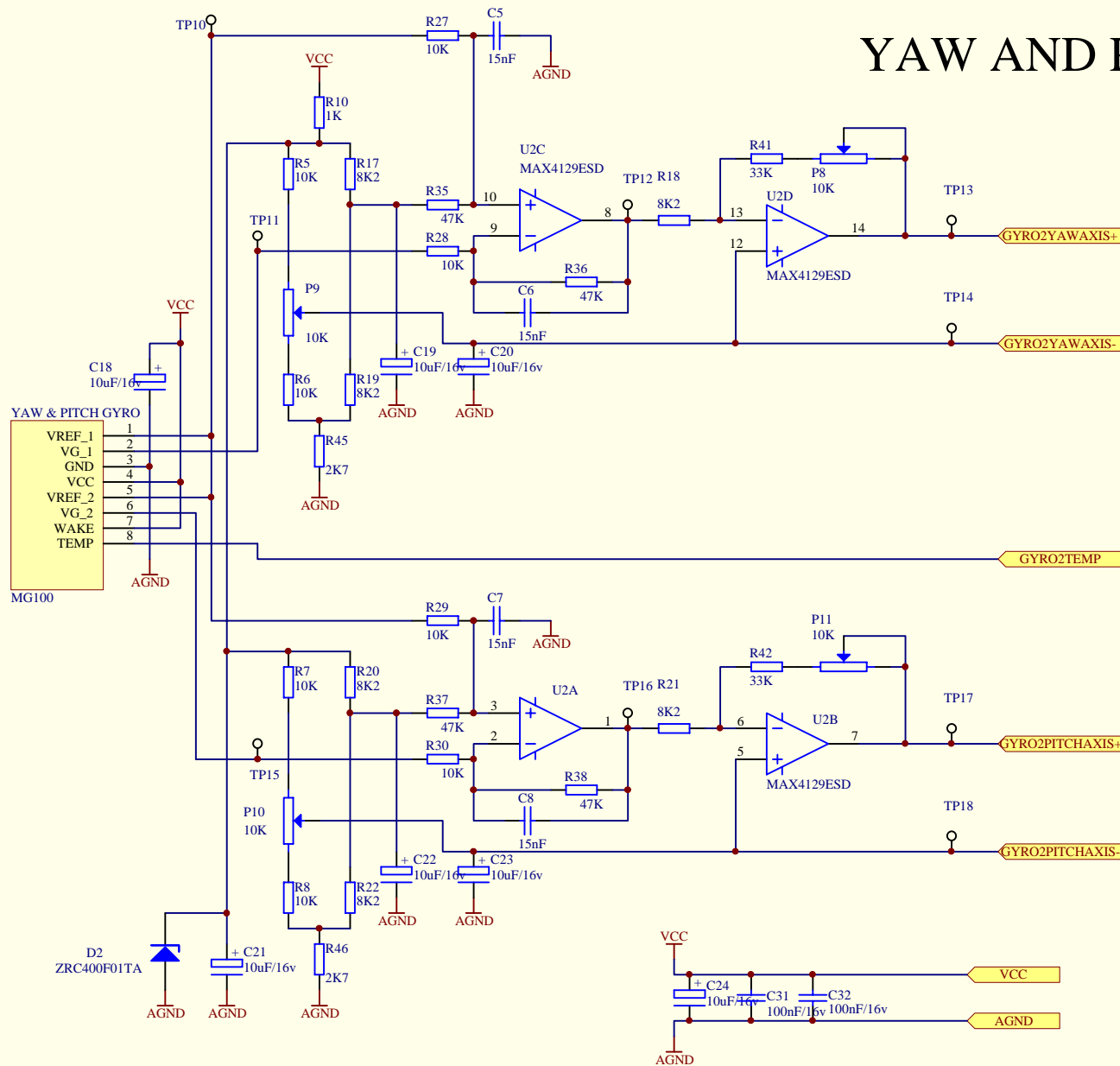
Title		
Size	Number	Revision
A4		
Date:	15-Feb-2002	Sheet of
File:	C:\AK\Model Stuff\Ins Stuff\PCB Files\MI100 Rev 01.ddb	

YAW AXIS ACCELEROMETER



Title		
Size A4	Number	Revision
Date: 15-Feb-2002	Sheet of	
File: C:\AK\Model Stuff\Ins Stuff\PCB Files\MI\Rev 03.dwg		

YAW AND PITCH GYROS



Title		
Size	Number	Revision
A4		
Date:	15-Feb-2002	Sheet of
File:	C:\AK\Model Stuff\Ins Stuff\PCB Files\MI100 Rev 03.dcb	